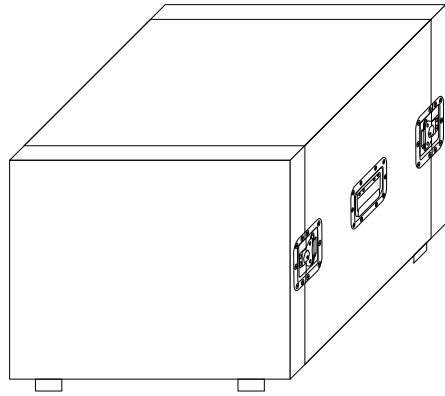
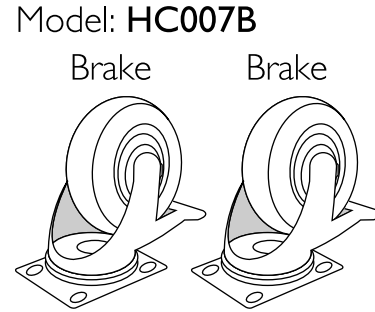
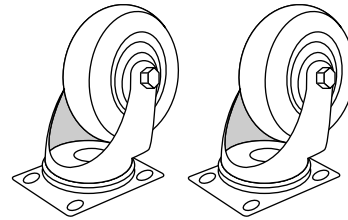


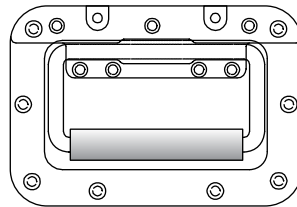
# Accessory Drawing File



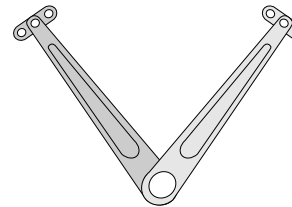
**Caster**  
Model: **HC007**



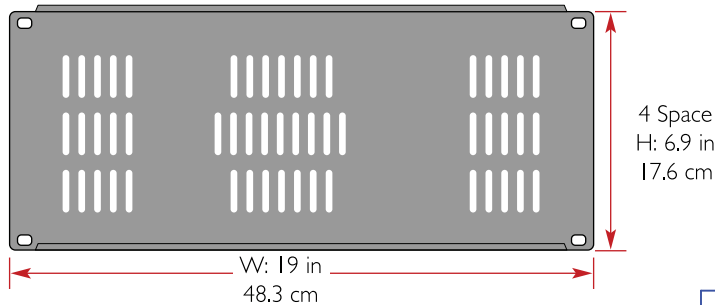
**Handle**  
Model: **HD001**



**Mixer Riser**  
Model: **HM002**



**Venting Panel** (for Ventilation)  
Model: **RP4UV** (4 Space) or Higher Space



**Blanking Panel**  
Model: **RPIUB** (1 Space) or Higher Space

