

Maximize Your Performance  
Minimize Your Price

**G2 SERIES**  
Generation 2



Based on our observations and borrowing the proven design of Karaoke equipment in Asia, Better Music Builder has been constantly improving and developing state-of-the-art Karaoke technologies to satisfy the specific needs of the consumers in North America. Therefore, we have successfully designed both commercial and home entertainment Karaoke equipment for the North America consumers.

Thank you for choosing Better Music Builder G2-Series CPU Integrated Mixing Amplifier with DSP (Digital Signal Processing) and built-in feedback destroyer. We appreciate your vote of confidence in this innovative product. Our talented engineering team has many years of experience in audio equipment design. Better Music Builder G2-Series are a new line of CPU controlled 3-channel/5-channel mixing amplifiers.

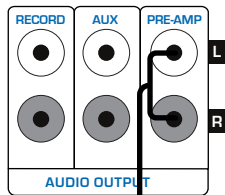


## Commercial Applications

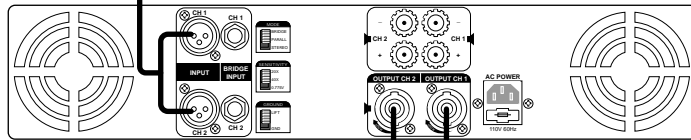
The engineering team of Better Music Builder designed the G2-Series, which is a CPU-controlled unit, specially for Karaoke commercial application (such as auditorium, restaurant, coffee shop, and hotel ballroom, etc.) to replace the traditional DJ equipment (such as 20-channel mixer, effect processor, key controller, 30-band equalizer and feedback destroyer, etc.) for Karaoke.

If you want to set up the G2-Series inside an auditorium or a commercial business of 2,000 square feet or more, we recommend using an external power amplifier for output. In this case, connect the "Audio Out" of G2-Series to a power amplifier and a speaker system (with a 12-inch woofer) with power rating of at least 1,000 watts.

G2-SERIES REAR VIEW



**NOTE** We recommend hiring a professional technician to handle the installation for safety purpose.



POWER AMPLIFIER REAR VIEW 1,000W.

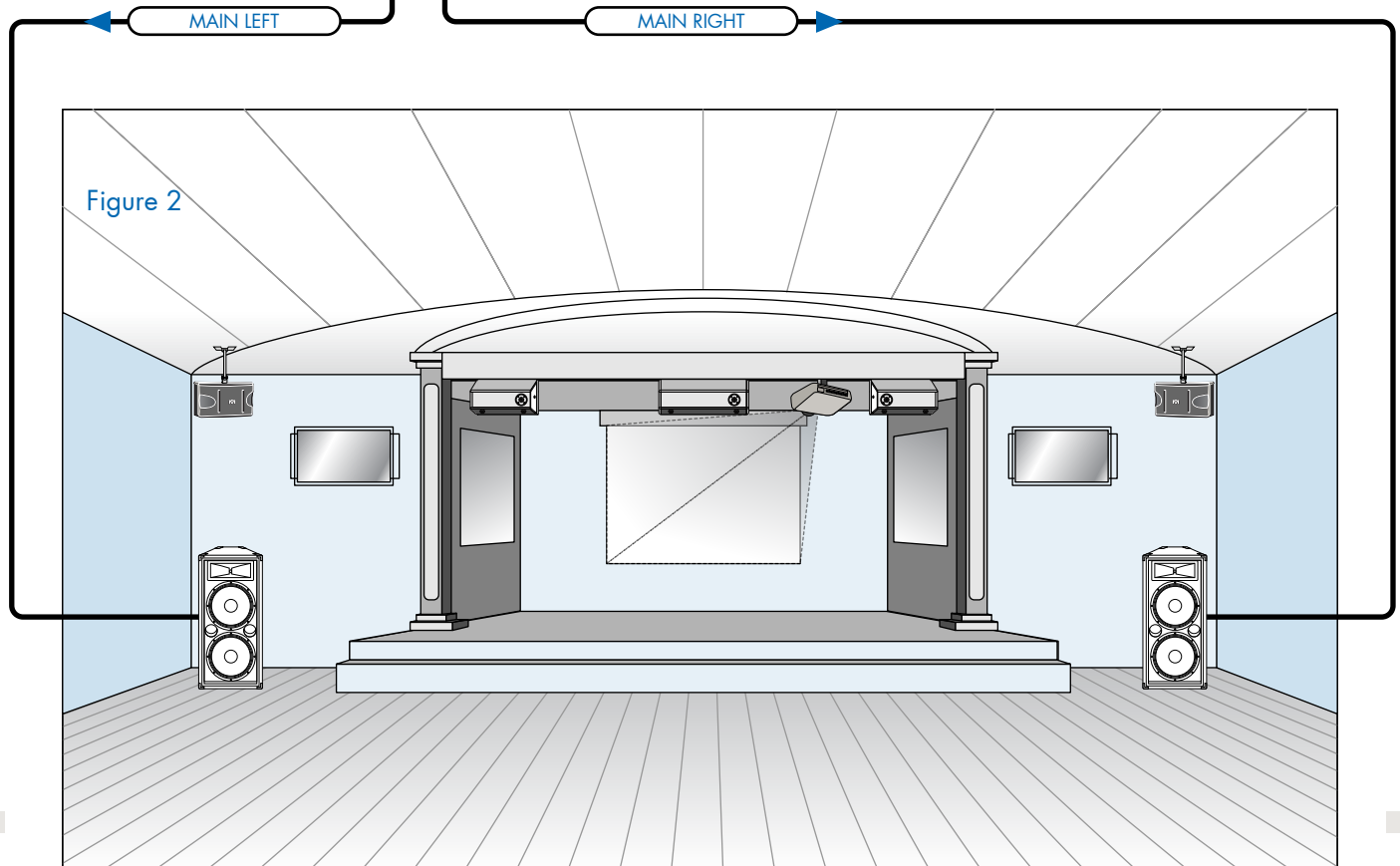
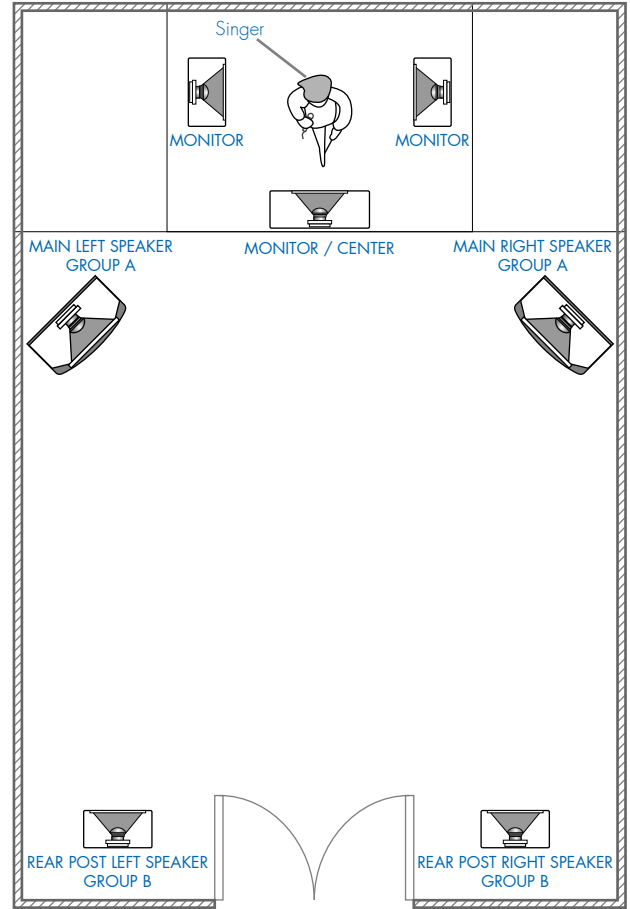


Figure 2

Figure 1





**PHYSICAL DIMENSIONS**

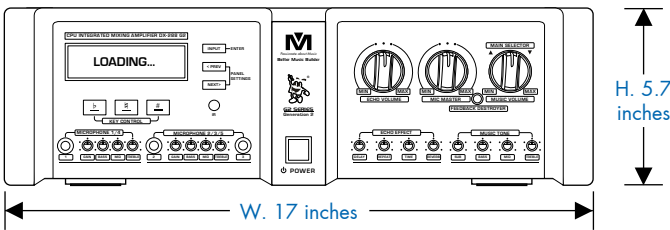
<b>Net Weight</b>	DX-222 G2 / DX-288 G2	30.9 lbs / 14.0 kg
<b>Shipping Weight</b>	DX-222 G2 / DX-288 G2	39 lbs / 17.7 kg
<b>Dimensions (WxHxD)</b>	DX-222 G2 / DX-288 G2	43.2x14.5x37.5 cm 17x5.7x14.8 inches
<b>Package Dimensions (WxHxD)</b>	DX-222 G2 / DX-288 G2	51.8x22.1x43 cm 20.4x8.7x17 inches



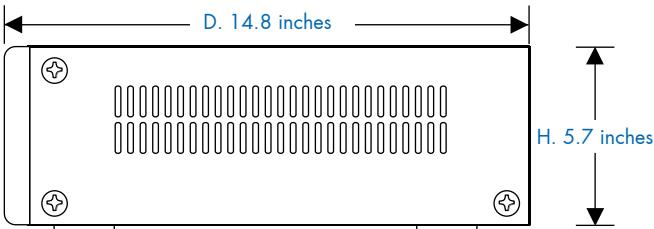
**SPECIFICATIONS**

<b>Power Output (RMS)</b>	DX-222 G2 3-Channel Output	2X350 W (1kHz, 4 Ohm) 200 W C <sub>net</sub> er (1kHz, 8 Ohm)
	DX-288 G2 5-Channel Output	2X350 W (1kHz, 4 Ohm) 200 W C <sub>net</sub> er (1kHz, 8 Ohm)
<b>THD</b>	(1kHz, 8 Ohm)	< 0.03%
<b>Frequency Response</b>		20Hz-20kHz ± 1dB
<b>Input Sensitivity/Impedance</b>	Front Mic	20 mV ±10% / 2k Ohm
	Rear Mic	40 mV ±10% / 2k Ohm
	Line	200 mV ±10% / 10k Ohm
	Video	1V <sub>p-p</sub> / 75 Ohm
<b>Pitch Control Music</b>	Bass (100Hz)	± 8 dB
	Middle (1.6kHz)	± 8 dB
	Treble (10kHz)	± 8 dB
	Microphone Bass (100Hz)	± 8 dB
	Middle (1.6kHz)	± 8 dB
	Treble (6.3kHz)	± 8 dB
<b>Effect</b>		ECHO + REV
<b>Loading Impedance</b>	Output Impedance	4~16 Ohm
	Recommend Impedance	8 Ohm
<b>Power Supply</b>		110V~/220V
<b>AC Power Outlets</b>	Switched	200 W
	Unswitched	300 W
<b>Static Power Consumption</b>		30 W

**Front view**



**Side view**



**Top view**

