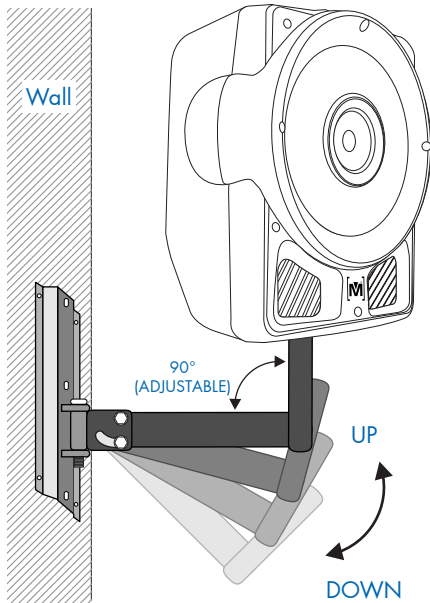


MOUNTING THE SPEAKER TO THE WALL

The speakers can be mounted on to the wall, (see figure below). Make sure that the structure of the wall must be strong enough to hold up to 100 pounds.

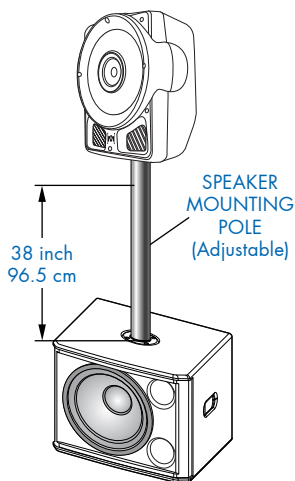
Part Number: SL-001 (Optional)



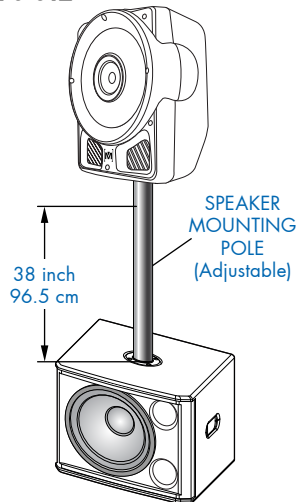
PLACING THE SPEAKERS ON THE SPEAKER MOUNTING POLE (Adjustable)

Part Number: AM91 (Optional)

PS-310



PS-312

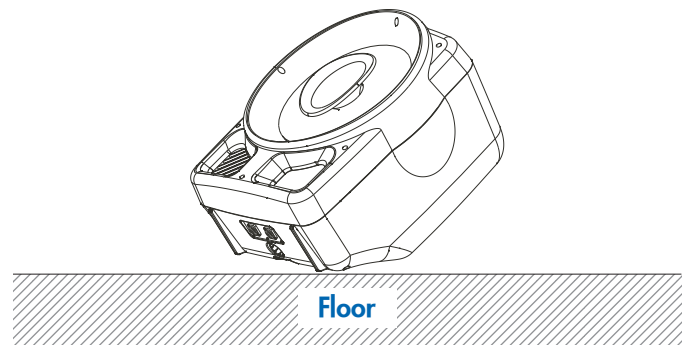


NOTE The speaker mounting pole as indicated in the diagram is not included with any of our speaker models. You may order it directly from our authorized dealers near you.

PLACING THE SPEAKER ON THE FLOOR TO MONITOR SINGING

This portable series speaker can be placed on the floor to perform the vocal monitoring function for live singing experience. It can also be used for business conference, coffee shop and church, etc. This portable series speaker has both active/powerd (PS-308A, PS-310A & PS-312A) and passive/non-powered (PS-308, PS-310 & PS-312) models.

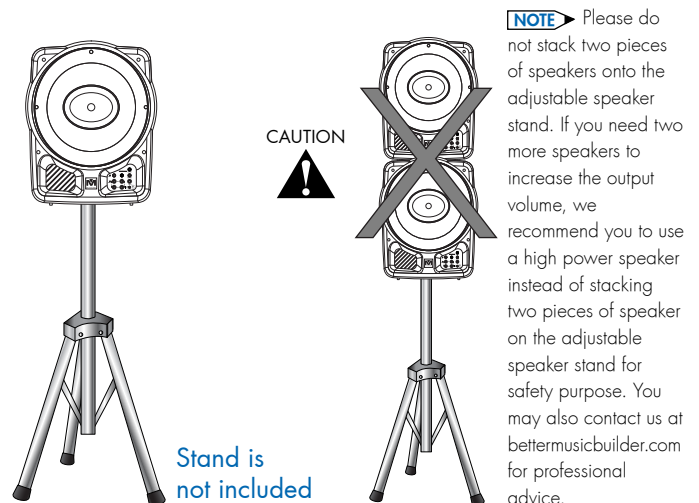
NOTE When you use this speaker for the center or "monitor" the manufacturers has 4 plastic washers screws on the back of the speakers to prevent extreme shaking from recoil. You may use the speaker bracket to tightly install to the floor/ground, this will hold the speaker in place even with extremely loud music.



PLACING THE SPEAKERS ON THE PORTABLE STAND

The speakers can be mounted onto the optional portable stand (see figure below). Make sure that the mounting system (hardware, stand, etc.) is capable of supporting four times the weight (approximately 25 lbs per speaker) of the speakers.

Part Number: AMS001B (Optional)



NOTE Please do not stack two pieces of speakers onto the adjustable speaker stand. If you need two more speakers to increase the output volume, we recommend you to use a high power speaker instead of stacking two pieces of speaker on the adjustable speaker stand for safety purpose. You may also contact us at bettermusicbuilder.com for professional advice.