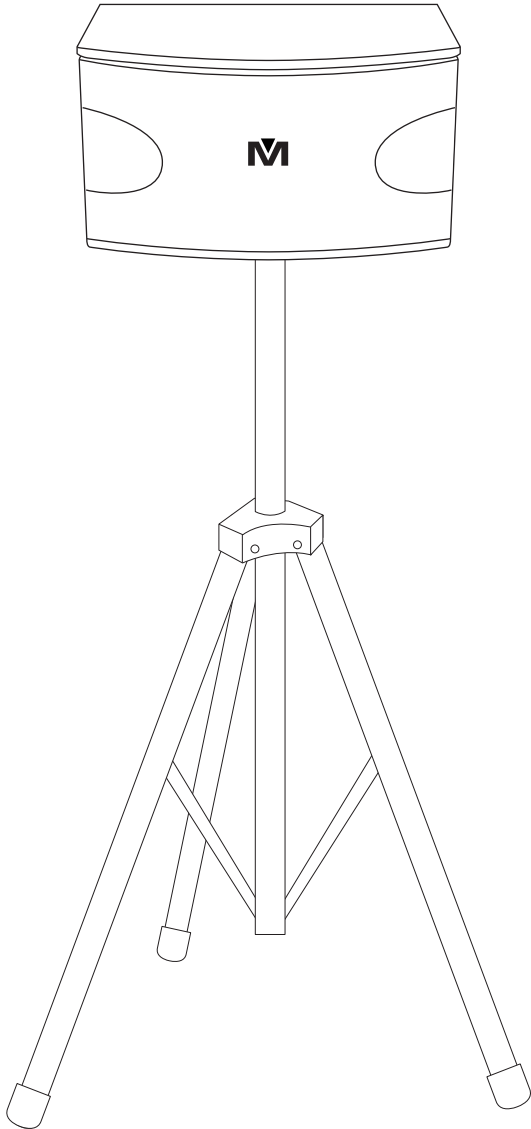
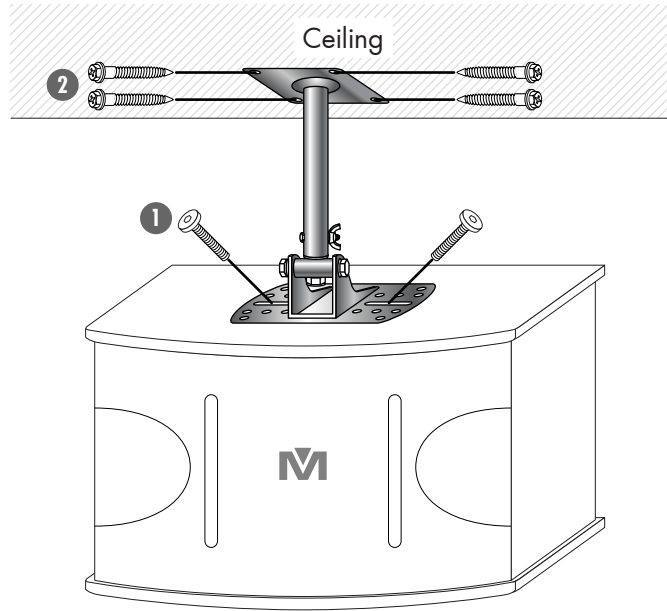


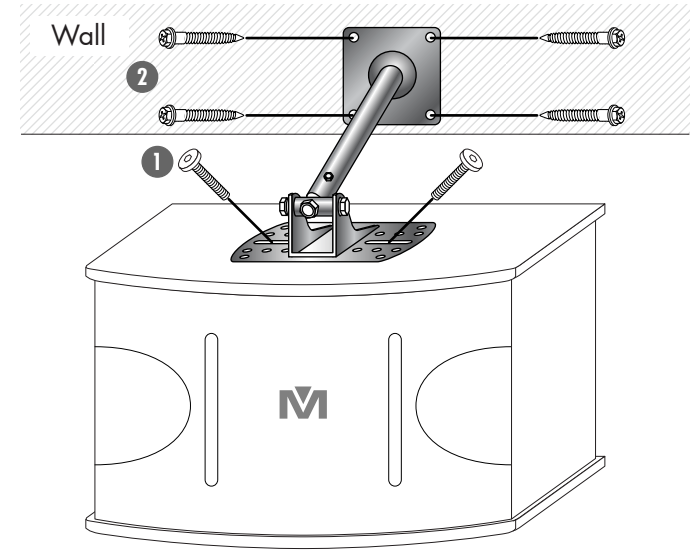
PORTABLE STAND Model: AMS001B



CEILING MOUNT Model: NB-901

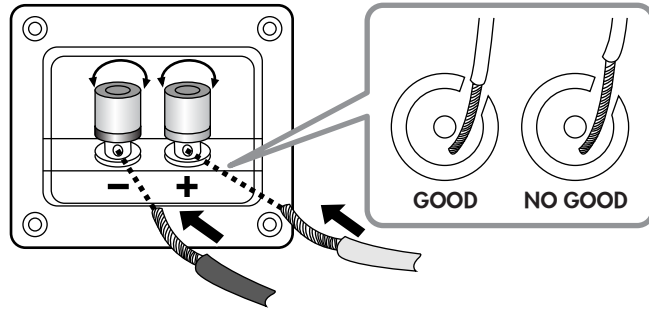


WALL MOUNT Model: NB-901

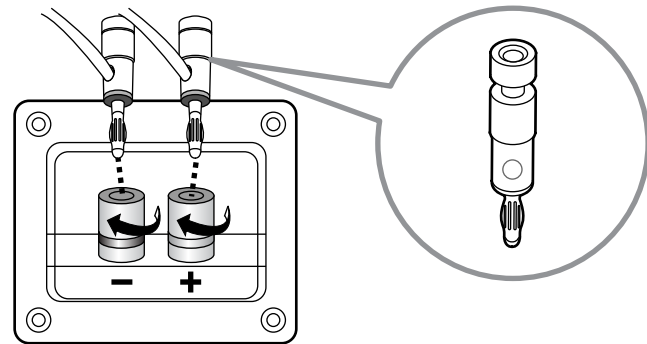


METHODS OF SPEAKER CONNECTION

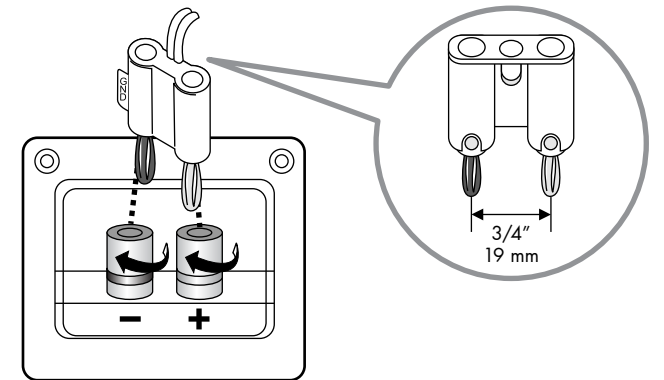
1. Insert Type (Standard Connection)



2. Single Banana Plug Type (Better Connection)



3. Double Banana Plug Type (Best Connection)



CONNECTING THE SPEAKERS

HOW TO CONNECT THE SPEAKER TO AMPLIFIER

We at Better Music Builder always provide you the technical support and relevant information to help you make the best use of your audio equipment. To avoid damages in connection mistakes please refer to the following three diagrams showing our recommended connections for the different speaker impedance.

