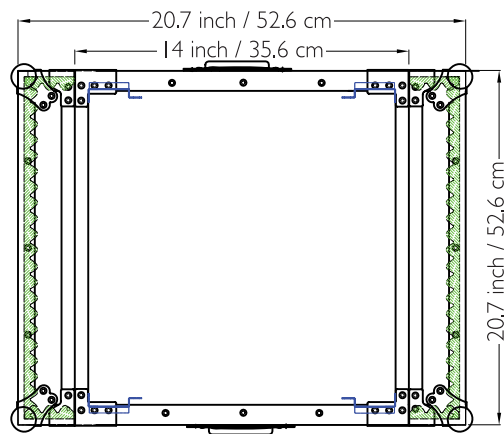
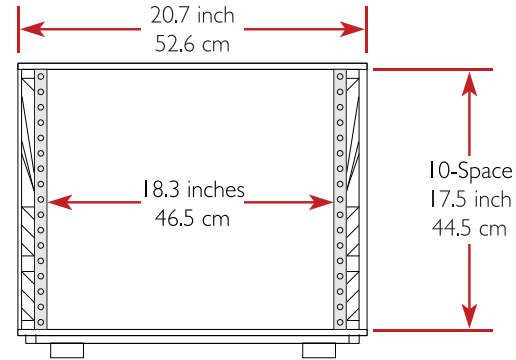
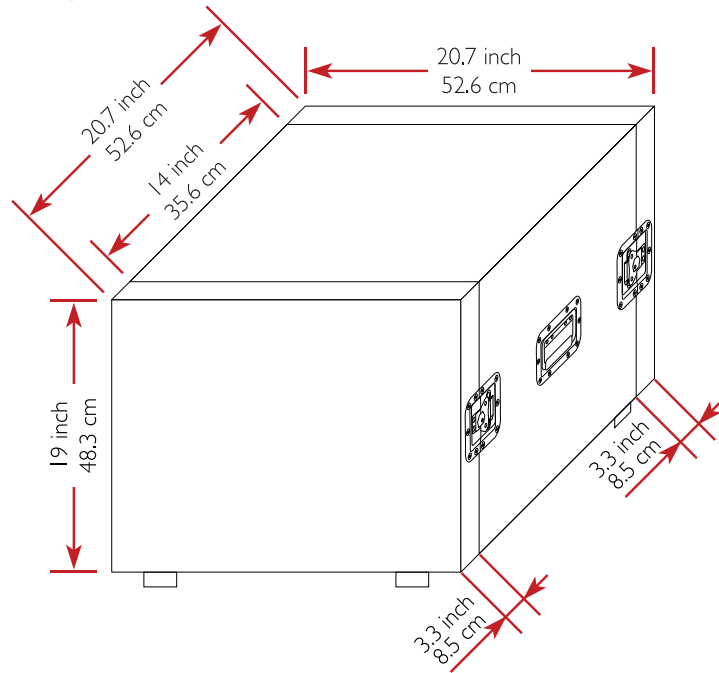
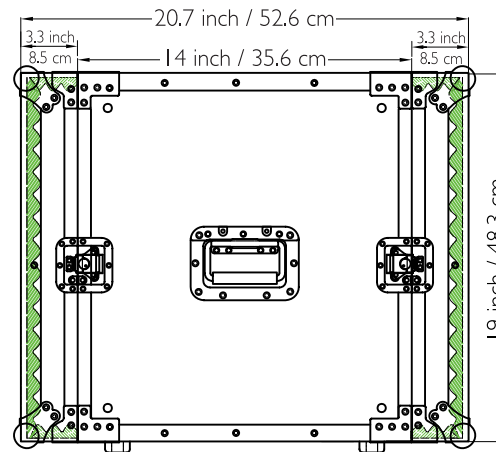


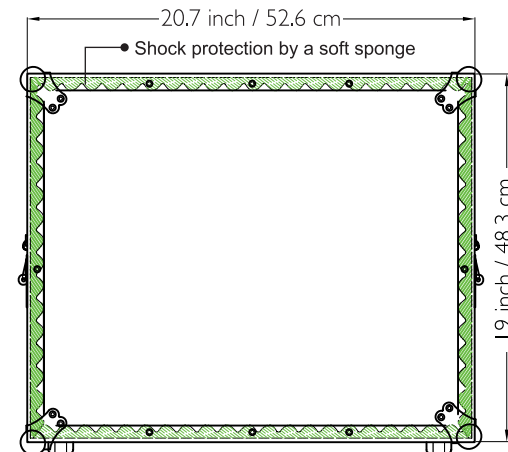
# Drawing File



TOP / BOTTOM VIEW



LEFT / RIGHT SIDE VIEW  
Handle



FRONT / REAR VIEW  
Lid / Door