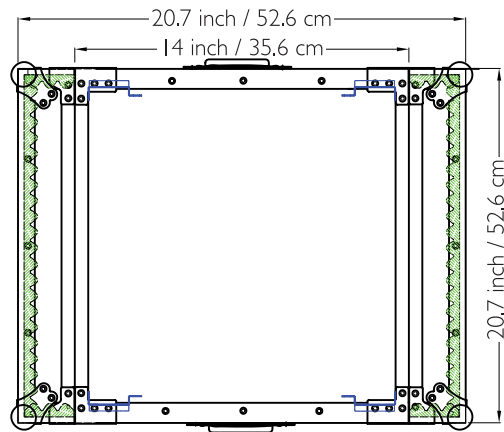
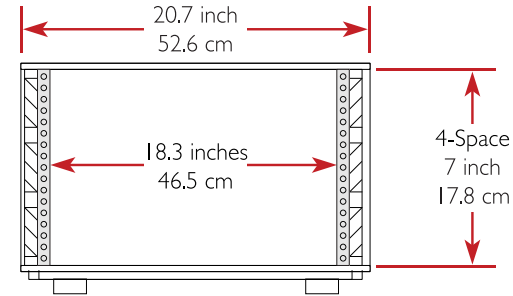
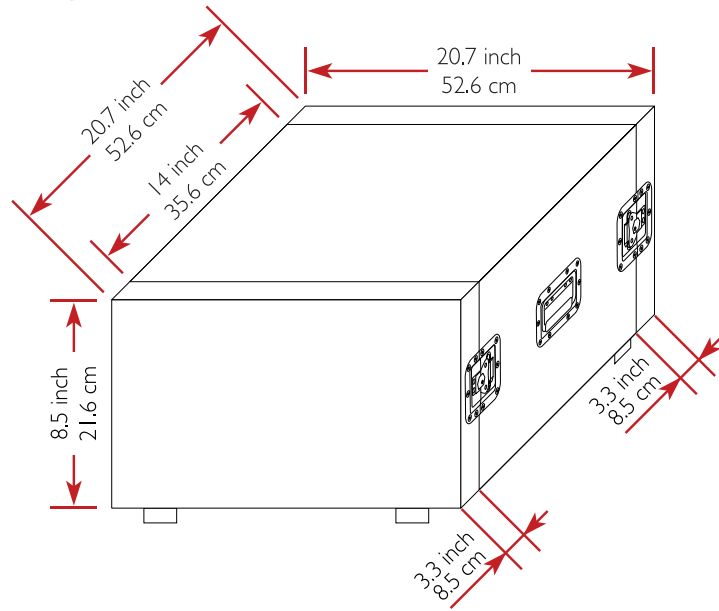
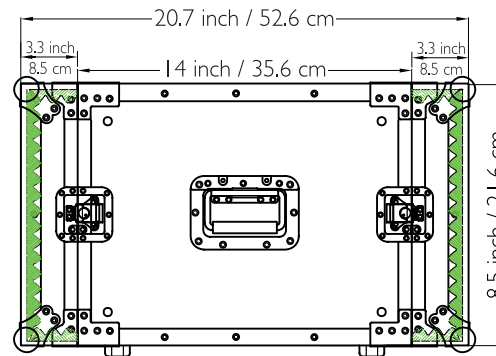


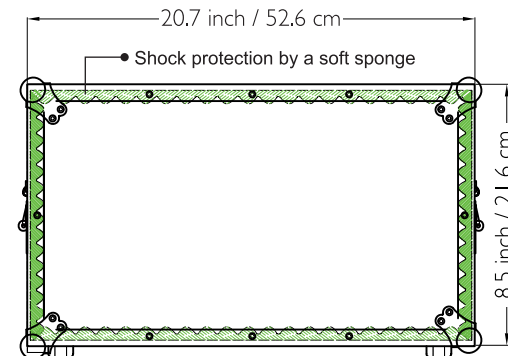
Drawing File



TOP / BOTTOM VIEW



LEFT / RIGHT SIDE VIEW
Handle



FRONT / REAR VIEW
Lid / Door