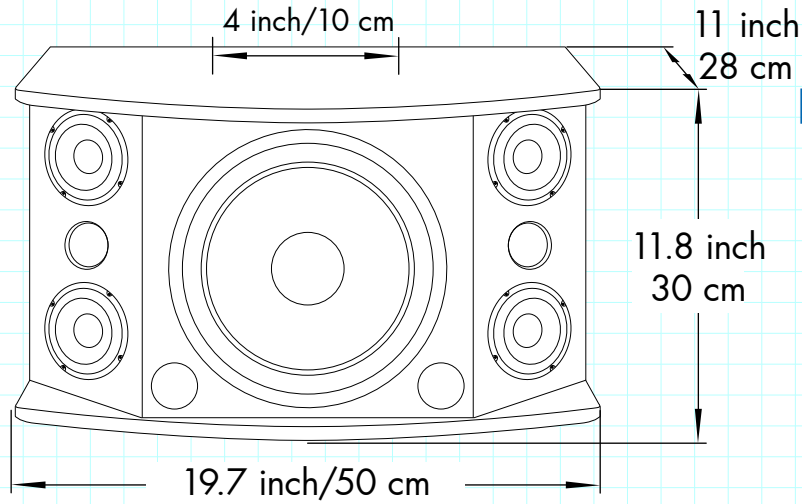
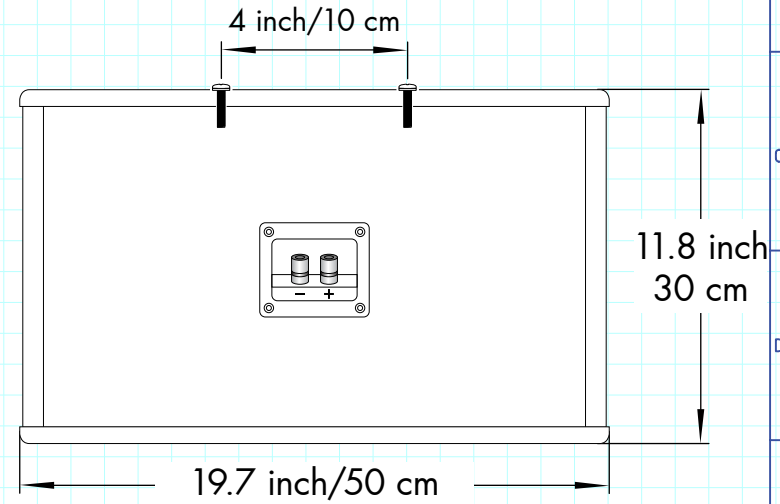


CS-610 G5

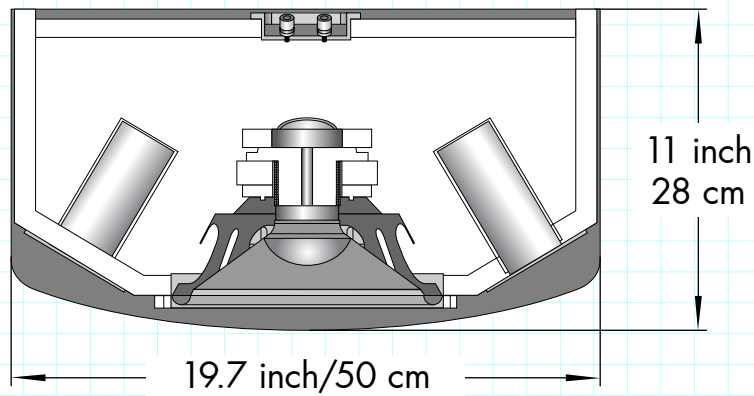
Front view



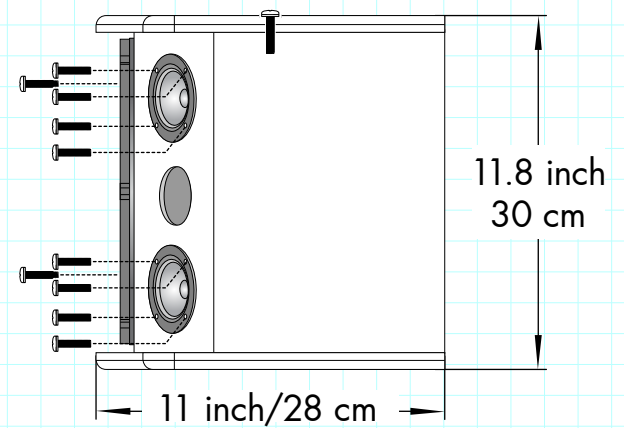
Rear view



See-Through Top view



Side view



| APPROVALS | | DATE |
|-----------|----|------------|
| DRAWN: | LL | 01/01/2023 |
| CHECK: | VZ | 01/01/2023 |
| DES ENG: | SL | 01/01/2023 |

MODEL NO.
CS-610 G5

SCALE 1:10

| | |
|--------|------------|
| REW.NO | DATE |
| | 01/01/2023 |