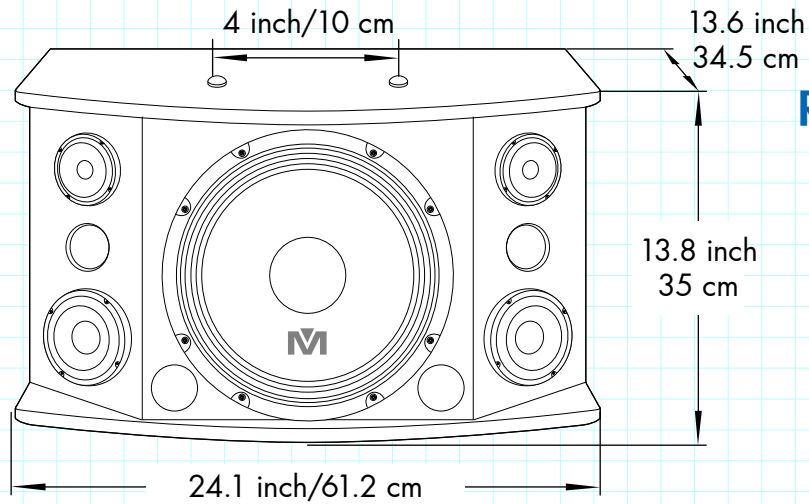


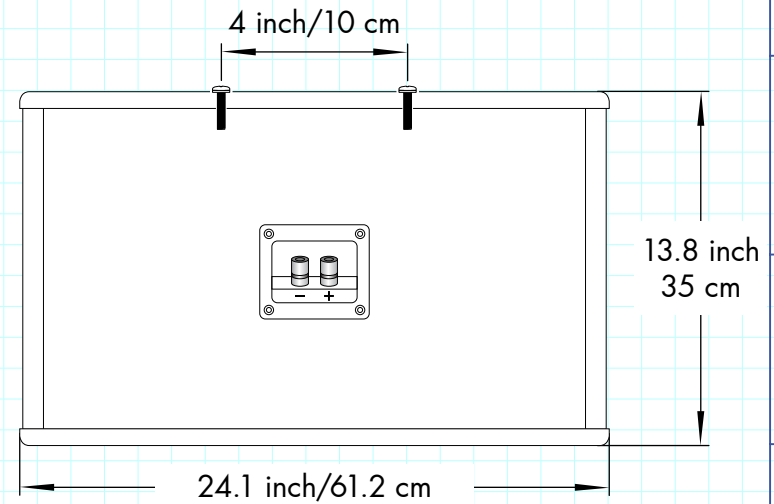


# CS-612 G2

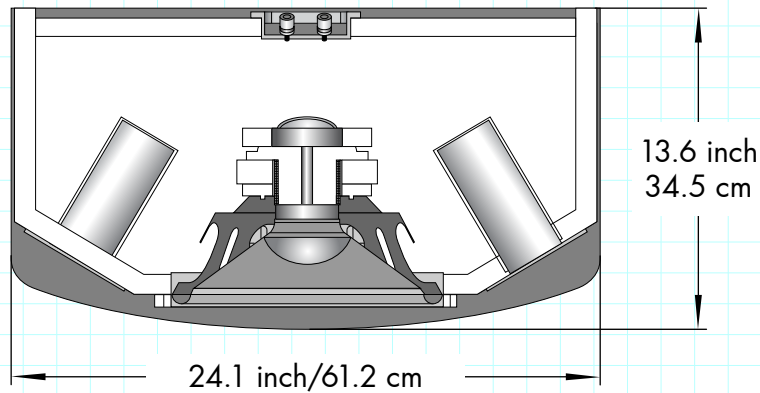
Front view



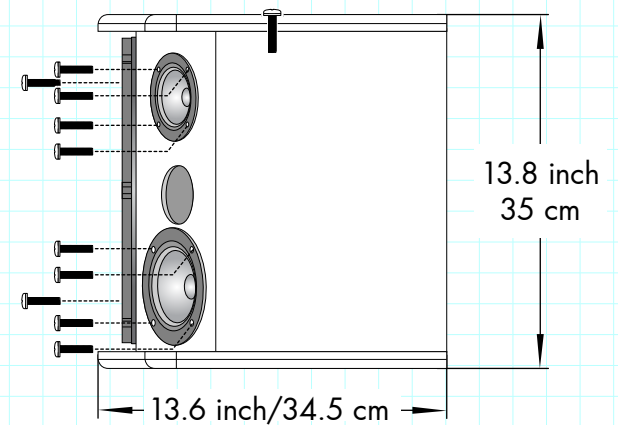
Rear view



See-Through Top view



Side view



APPROVALS	DATE
DRAWN: LL	09/01/14
CHECK: VZ	09/01/14
DES ENG: SL	09/01/14

MODEL NO.  
**CS-612 G2**

SCALE 1:10

REW.NO	DATE
	09-01-2014