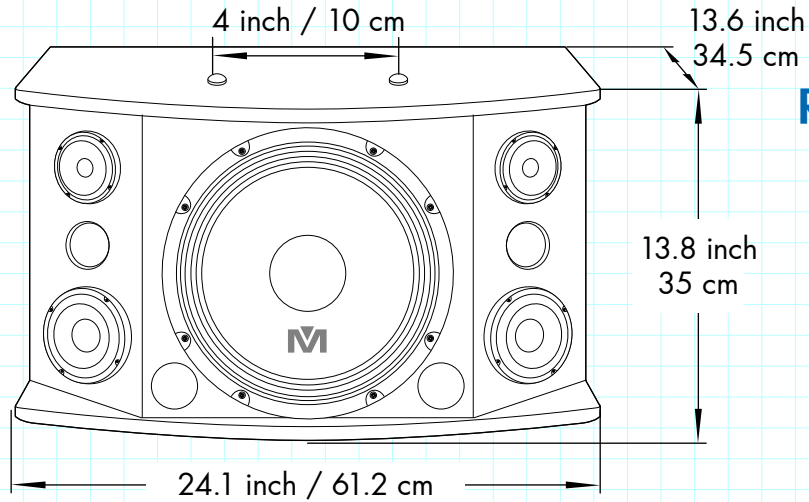


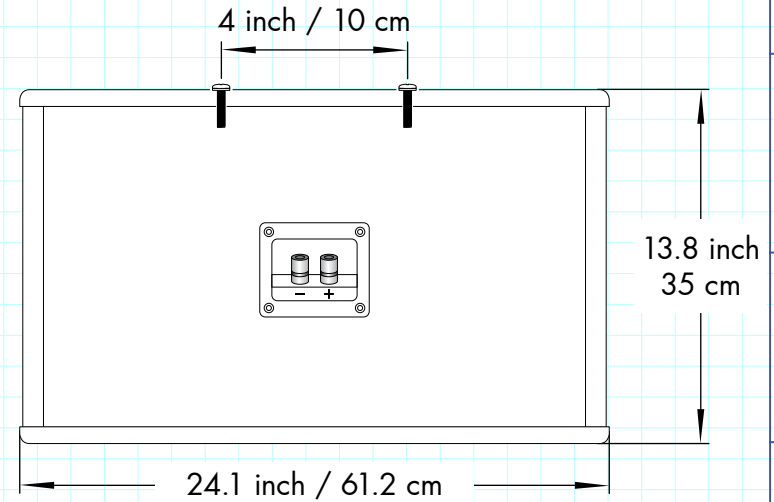


CS-812

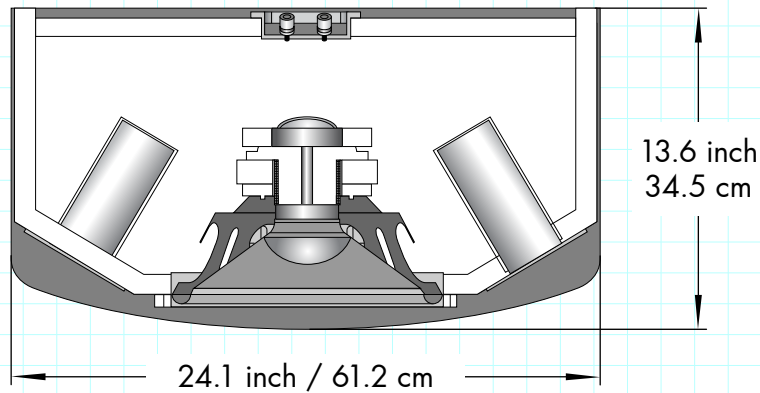
Front view



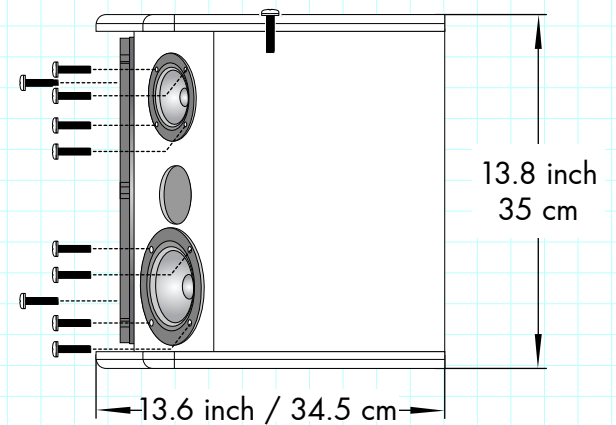
Rear view



See-Through Top view



Side view



| APPROVALS | DATE |
|-------------|----------|
| DRAWN: LL | 09/01/14 |
| CHECK: VZ | 09/01/14 |
| DES ENG: SL | 09/01/14 |

MODEL NO.
CS-812

SCALE 1:10

| | |
|--------|------------|
| REW.NO | DATE |
| | 09-01-2014 |