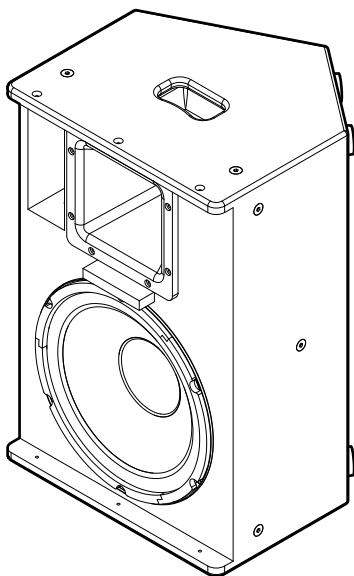


Better Music Builder® is a leader in the Audio and Karaoke equipment industry. We are committed to offering you high quality audio products. Unlike any others brand, we deliver the best cost and value to you directly. For the latest update information including operation manuals, installation instructions, hook-up diagram and other new technologies updates etc. please visit us at our website [www.BetterMusicBuilder.com](http://www.BetterMusicBuilder.com).



## OWNER'S MANUAL

### DYNAMIC FUSION SERIES

#### High Definition Sound PRO-Line

Dynamic Fusion Series is a high-end live sound system designed by the engineering team of Better Music Builder. This high-end series give you live music experience, high power output and superior sound quality.

## DFS-12A

### 12" ACTIVE/POWERED SPEAKER 800W



Thank you for purchasing this unit. To make full and effective use of this unit, please read this Owner's Manual carefully before operating it. Please retain this manual for future reference.

[www.BetterMusicBuilder.com](http://www.BetterMusicBuilder.com)

# 1.GENERAL INTRODUCTION

## FEATURES of DFS-12A

- 2-Way Full Range Active/Powered Loudspeaker
- 1 x 12" NEO woofer
- 1 x 1.75" compression driver with PEI diaphragm
- Built-In power amplifier
- Dynamic Fusion Technology™ (DFT)
- High SPL and sensitivity
- Line input: 2 x Combined 1/4 inch/XLR
- Audio output: 1 x XLR
- Frequency response: 60Hz~20kHz
- Sensitivity: 97 dB (1m/1W)
- Handling power: 400 Watts (RMS) @ 4 ohms  
800 Watts (PEAK) @ 4 ohms
- Power AC: 110V for USA & Canada. 220V for Asia and Europe
- Computer stimulation design technology ensures good frequency response and excellent phase feature
- Independent crossover circuit provides low distortion and interfere
- Convenient handle on speaker box
- Protective grill: Black perforated steel
- Flexible and easy-to install configurations (wall, ceiling, under balcony)
- Applications: Restaurants, clubs, bars, conference rooms, churches, schools and homes

## 2.SAFETY INTRODUCTION (read before use)

### (1) Electronic appliance safety

- Keep this device away from fire, rain and moisture to prevent risk of fire and shock hazard !
- Do not attempt to service this product yourself, as opening or removing covers may expose you to dangerous voltage points or other risks. Refer all servicing to qualified service personnel. Most damages are the result of unprofessional operation!
- Before replacing the fuse, unplug mains lead. Only replace fuses of the same rating and power as specified on the rear panel.
- Clean only with dry and soft cloth.

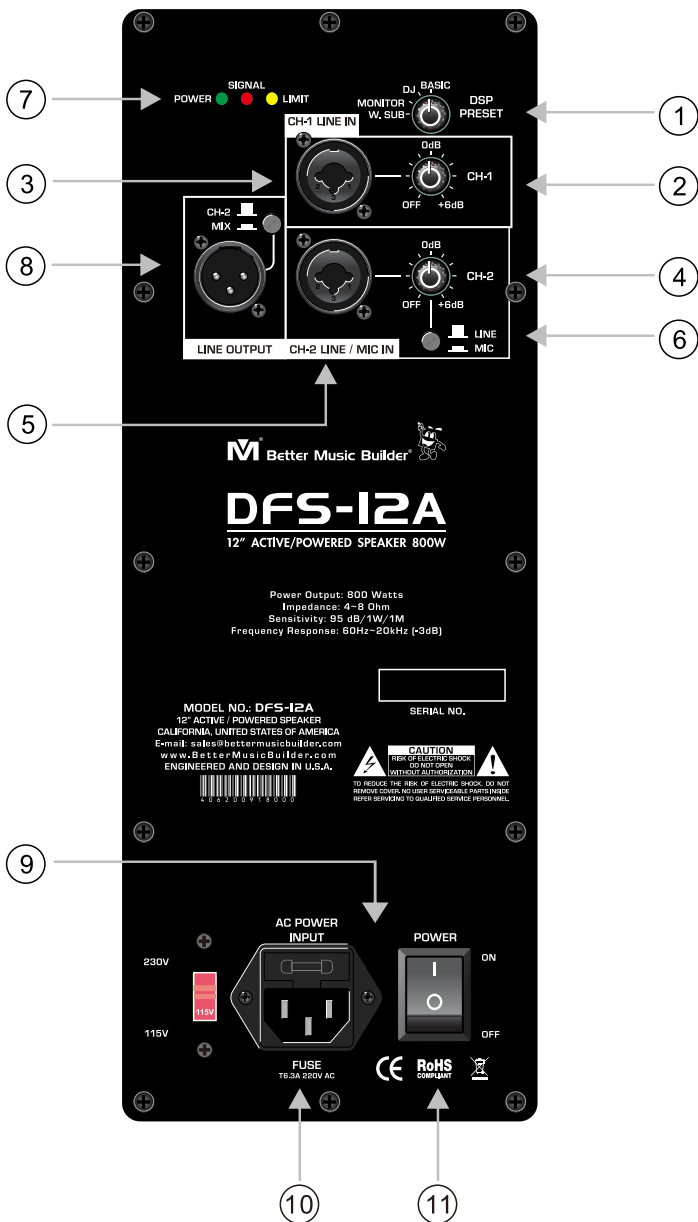
### (2) Installation safety

- Before installation, make sure that the installation area can hold a minimum point load of 10 times of the system' s load.(For product weight, pls refer to its spec sheet.)
- The unit should stand only on a clean, solid, plane, vibration-free and fire-resistant location. Do not place the unit on an unsteady trolley or stand.
- Make sure all signal cables and power cables are well settled down to prevent safety problem of peoples walking by.

### (3) Health Hazard

- High loudspeaker levels can cause permanent hearing damage. Wear hearing protection if continuously exposed to high level.

# 3. FUNCTIONAL INTRODUCTION



- ① DSP Presets: switch and choose different DSP preset according to actual demand.

4 factory DSP presets:

Mode 1: BASIC

Mode 2: DJ

Mode 3: MONITOR

Mode 4: W. SUB

- ② Ch1 volume control
- ③ Ch1 LINE IN: JACK/XLR combo input
- ④ Ch2 / MIC volume control
- ⑤ Ch2 LINE/MIC IN: mic or CH2 line input
- ⑥ Ch2 operating mode selector switch  
Switch engaged: MIC operation  
Switch disengaged: LINE operation
- ⑦ POWER: power indicator  
SIG: signal indicator  
LMT: limit indicator
- ⑧ LINE OUT: balanced XLR output
- ⑨ FUSE  
Only replace the fuse when the device is disconnected from mains.
- ⑩ Power Input  
Used to plug in the supplied power cord
- ⑪ Power Switch  
Turn on or off of the speaker

## 4. TECHNICAL PARAMETER: PRODUCT INFO

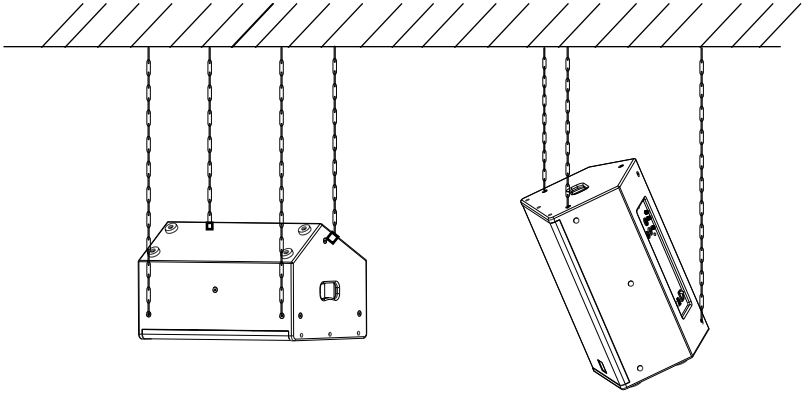
### Technical Data

MODEL	DFS-12A
Components	12" NEO woofer + 1.75" driver
Frequency response (Hz)	60 - 20K
Impedance	4
RMS Power (W)	400
Program Power (W)	800
Dispersion Angle (-6dB)	H90° x V60°
Max SPL (dB)	128
Sensitivity (dB)	97
Connection	COMBO
Dimension (WxHxD)	15×22.6×13.8 in 38×57.5×35 cm (each)
Packing Dimension (WxHxD)	17.9×25.8×16.7 in 45.5×65.5×42.5 cm (each)
Net Weight	37.5 Lbs / 17 Kg (each)
Shipping Weight	41.9 Lbs / 19 Kg (each)
Passive / Active	Active

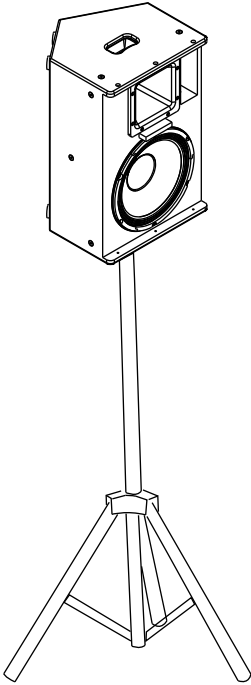
### Amplifier Module

Output Power	2x350W/4 ohm
S/N	>95dBA (A weighted)
Damping Factor	>500 (20Hz-1000Hz)
Protection	over voltage protection up to 264V AC, overload output protection, clip, limiter

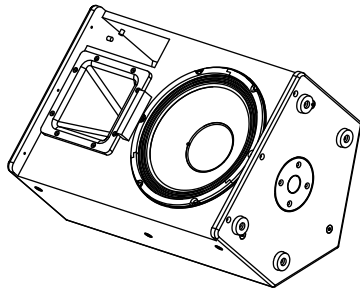
## 5.MOUNTING



Flying



On tripod stand



Monitor

# Better Music Builder®.com



*Passionate about Music*

Thank you for purchasing this unit. To make full and effective use of this unit, please read this Owner's Manual carefully before operating it. Please retain this manual for future reference.

