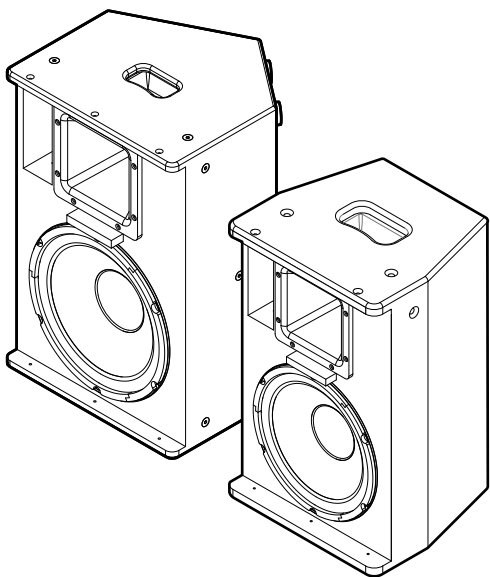


Better Music Builder® is a leader in the Audio and Karaoke equipment industry. We are committed to offering you high quality audio products. Unlike any others brand, we deliver the best cost and value to you directly. For the latest update information including operation manuals, installation instructions, hook-up diagram and other new technologies updates etc. please visit us at our website www.BetterMusicBuilder.com.



OWNER'S MANUAL

DYNAMIC FUSION SERIES

High Definition Sound PRO-Line

Dynamic Fusion Series is a high-end live sound system designed by the engineering team of Better Music Builder. This high-end series give you live music experience, high power output and superior sound quality.

DFS-908 G2

8" 2-WAY FULL RANGE SPEAKER

DFS-910 G2

10" 2-WAY FULL RANGE SPEAKER



Thank you for purchasing this unit. To make full and effective use of this unit, please read this Owner's Manual carefully before operating it. Please retain this manual for future reference.

www.BetterMusicBuilder.com

1. GENERAL INTRODUCTION

2-WAY FULL RANGE SPEAKER FEATURES:

DFS-908 G2

- 1 x 8" professional woofer
- 1 x 1.4" compression driver with PEI diaphragm
- Dynamic Fusion Technology™ (DFT)
- High SPL and sensitivity
- Speaker input: 1 x Speakon NL4 connector
- Frequency response: 76Hz~20kHz
- Sensitivity: 122dB (1m/1W)
- Handling power: 200 Watts (RMS) @ 8 ohms, 400 Watts (PEAK) @ 8 ohms
- Power AC: 110V for USA & Canada. 220V for Asia and Europe
- Computer stimulation design technology ensures good frequency response and excellent phase feature
- Independent crossover circuit provides low distortion and interfere
- Convenient handle on speaker box
- Protective grill: Black perforated steel
- Flexible and easy-to install configurations (wall, ceiling, under balcony)
- Applications: Restaurants, clubs, bars, conference rooms, churches, schools and homes

DFS-910 G2

- 1 x 10" professional woofer
- 1 x 1.75" compression driver with PEI diaphragm
- Dynamic Fusion Technology™ (DFT)
- High SPL and sensitivity
- Speaker input: 1 x Speakon NL4 connector; Output: 1 x Speakon NL4 connector
- Frequency response: 80Hz~20kHz
- Sensitivity: 124dB (1m/1W)
- Handling power: 300 Watts (RMS) @ 8 ohms, 600 Watts (PEAK) @ 8 ohms
- Power AC: 110V for USA & Canada. 220V for Asia and Europe
- Computer stimulation design technology ensures good frequency response and excellent phase feature
- Independent crossover circuit provides low distortion and interfere
- Convenient handle on speaker box
- Protective grill: Black perforated steel
- Flexible and easy-to install configurations (wall, ceiling, under balcony)
- Applications: Restaurants, clubs, bars, conference rooms, churches, schools and homes

2.SAFETY INTRODUCTION (read before use)

(1) Electronic appliance safety

- Keep this device away from fire, rain and moisture to prevent risk of fire and shock hazard !
- Do not attempt to service this product yourself, as opening or removing covers may expose you to dangerous voltage points or other risks. Refer all servicing to qualified service personnel. Most damages are the result of unprofessional operation!
- Before replacing the fuse, unplug mains lead. Only replace fuses of the same rating and power as specified on the rear panel.
- Clean only with dry and soft cloth.

(2) Installation safety

- Before installation, make sure that the installation area can hold a minimum point load of 10 times of the system' s load.(For product weight, pls refer to its spec sheet.)
- The unit should stand only on a clean, solid, plane, vibration-free and fire-resistant location. Do not place the unit on an unsteady trolley or stand.
- Make sure all signal cables and power cables are well settled down to prevent safety problem of peoples walking by.

(3) Health Hazard

- High loudspeaker levels can cause permanent hearing damage. Wear hearing protection if continuously exposed to high level.

3. FUNCTIONAL INTRODUCTION



DFS-908 G2

8" 2-WAY FULL RANGE SPEAKER

M Better Music Builder®



INPUT

MODEL NO.: DFS-910 G2

10" 2-WAY FULL RANGE SPEAKER

CALIFORNIA, UNITED STATES OF AMERICA

E-mail: sales@bettermusicbuilder.com

www.BetterMusicBuilder.com

ENGINEERED AND DESIGN IN U.S.A.



OUTPUT



Power Output: 600 Watts

Impedance: 8 Ohm

Sensitivity: 96 dB/1W/1M

Frequency Response: 80Hz~20kHz (-3dB)



4 0 6 2 0 0 9 0 7 8 2 0

DFS-910 G2

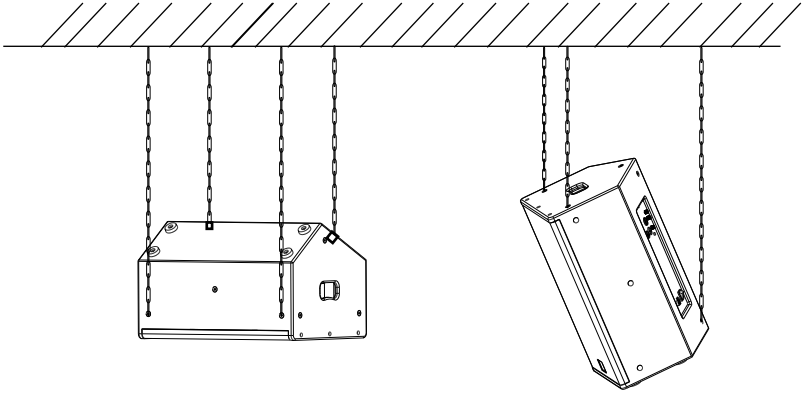
10" 2-WAY FULL RANGE SPEAKER

4. TECHNICAL PARAMETER: PRODUCT INFO

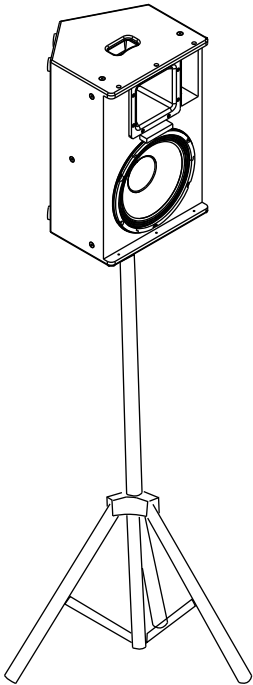
Technical Data

MODEL	DFS-908 G2	DFS-910 G2
Components	8"woofer+1.4"driver	10"woofer+1.75"driver
Frequency Response(Hz)	76-20K	80-20K
Impedance	8	8
RMS Power(w)	200	300
Program Power (w)	400	600
Dispersion Angle(-6dB)	H90°x V60°	H90°x V60°
Max SPL(dB)	96	96
Sensitivity(dB)	122	124
Connection	Speakon	Speakon
Dimension (WxHxD)	10.4x16.3x9.5 in 26.3x41.3x24 cm (each)	12.6x20x11.5 in 32x50.8x29.3 cm (each)
Packing Dimension (WxHxD)	20.5x18x11.4 in 52x45.5x29 cm (pair)	15.6x23.2x14.5 in 39.5x58.8x36.8 cm (each)
Net Weight:	18.7 Lbs / 8.5 Kg (each)	33 Lbs / 15 Kg (each)
Shipping Weight	41.9 Lbs / 19 Kg (pair)	37.5 Lbs / 17 Kg (each)
Passive / Active	Passive	Passive

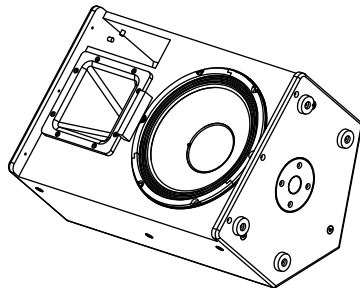
5.MOUNTING



Flying



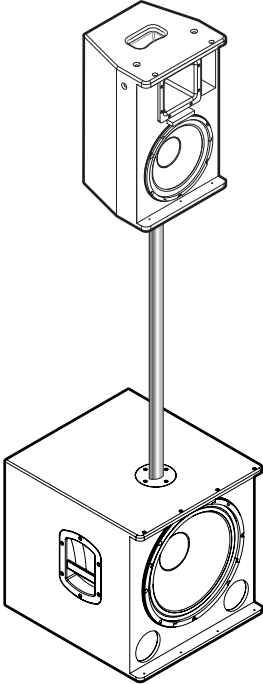
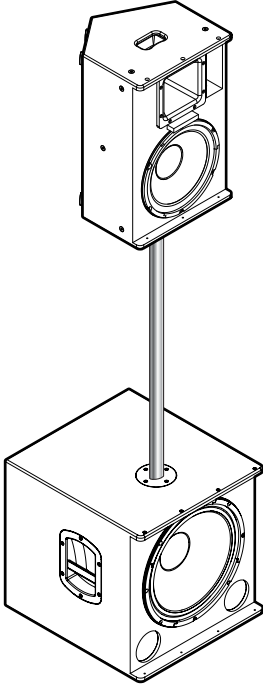
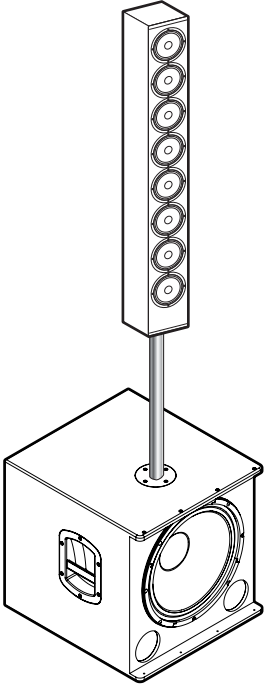
On tripod stand



Monitor

RECOMMENDED PACKAGES

Better Music Builder's new product line of speakers DFS-908 G2, DFS-910 G2 and DFS-804 make for a fantastic complete karaoke system when paired with a 15" and 18" active/powerd subwoofer. Dynamic Fusion Series speakers such as the vocal/column speakers recreate the music and vocal in crystal clear sound.

PACKAGE 1	PACKAGE 2	PACKAGE 3
DFS-908 G2 (Pair) + SUB-15 Pro / SUB-18 Pro	DFS-910 G2 + SUB-15 Pro / SUB-18 Pro	DFS-804 + SUB-15 Pro / SUB-18 Pro
<p data-bbox="194 579 301 624">SPEAKER DFS-908 G2</p>  <p data-bbox="116 1345 378 1390">BASS POWERED SUBWOOFER SUB-15 Pro / SUB-18 Pro</p>	<p data-bbox="512 579 619 624">SPEAKER DFS-910 G2</p>  <p data-bbox="434 1345 696 1390">BASS POWERED SUBWOOFER SUB-15 Pro / SUB-18 Pro</p>	<p data-bbox="764 579 1003 624">VOCAL/COLUMN SPEAKER DFS-804</p>  <p data-bbox="753 1345 1015 1390">BASS POWERED SUBWOOFER SUB-15 Pro / SUB-18 Pro</p>

This diagram is a suggested recommendation; subwoofer sold separately.

Better Music Builder®.com



Passionate about Music

Thank you for purchasing this unit. To make full and effective use of this unit, please read this Owner's Manual carefully before operating it. Please retain this manual for future reference.

